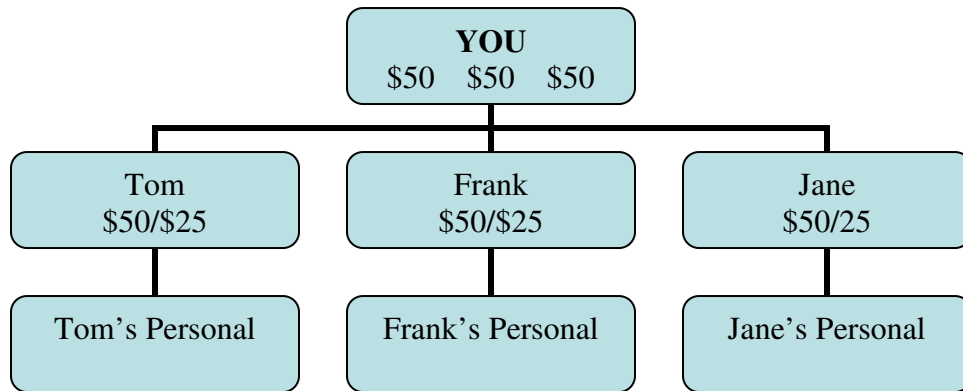


**Your first goal: is to build  
Your “First Team” quickly!**

**Enroll 3! Get3! (3 + 3)**

**Personally enroll 3,  
AND have 3 others in any combination.**

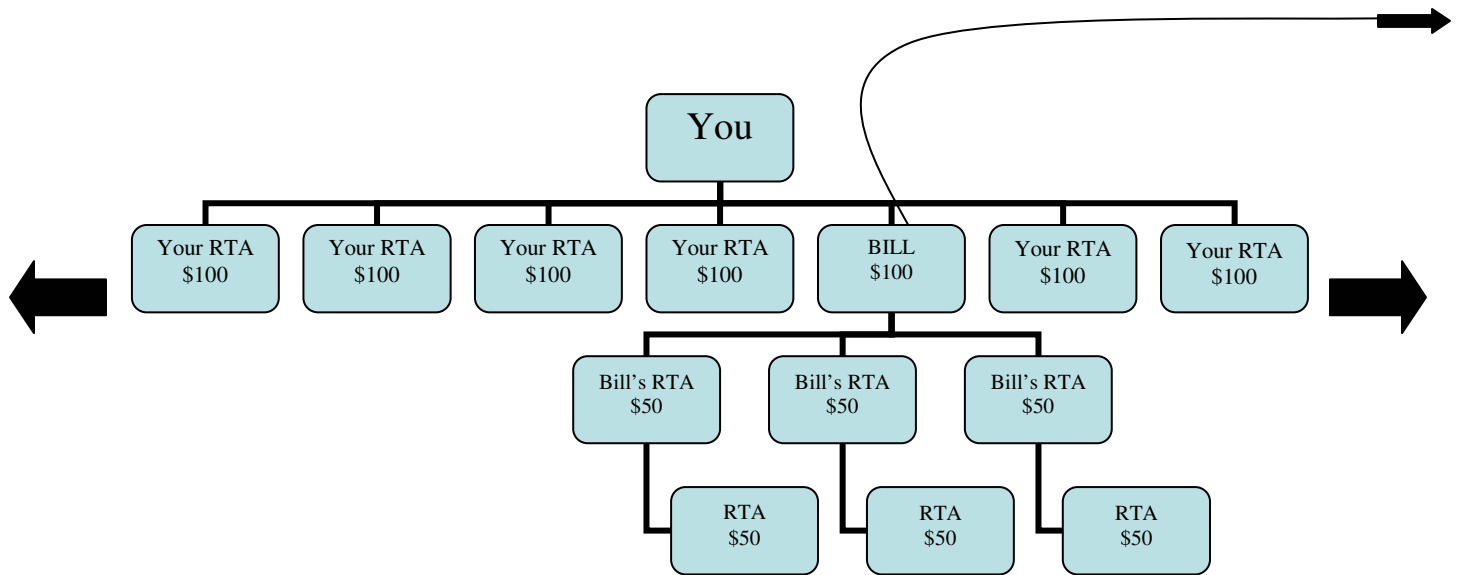


**Enroll 6 “personals” and earn your original investment back, and receive your travel website **FREE** each month, paid for by company, **no more monthly charges!****

**When you personally enroll 3 people, you will earn a 50% matching bonus on each of your “personals”. When you complete your “First Team” you are allowed to move to your own “Power Team” where you will receive: \$100 for each personal RTA and \$50 for everyone else in your “Power Team” to infinity. You will receive a 50% matching bonus on all your “personals” in your “Power Team” through infinity and you will also earn booking commissions, other bonuses and residuals.**

**[www.theytb.com](http://www.theytb.com)**

## Your “Power Team”



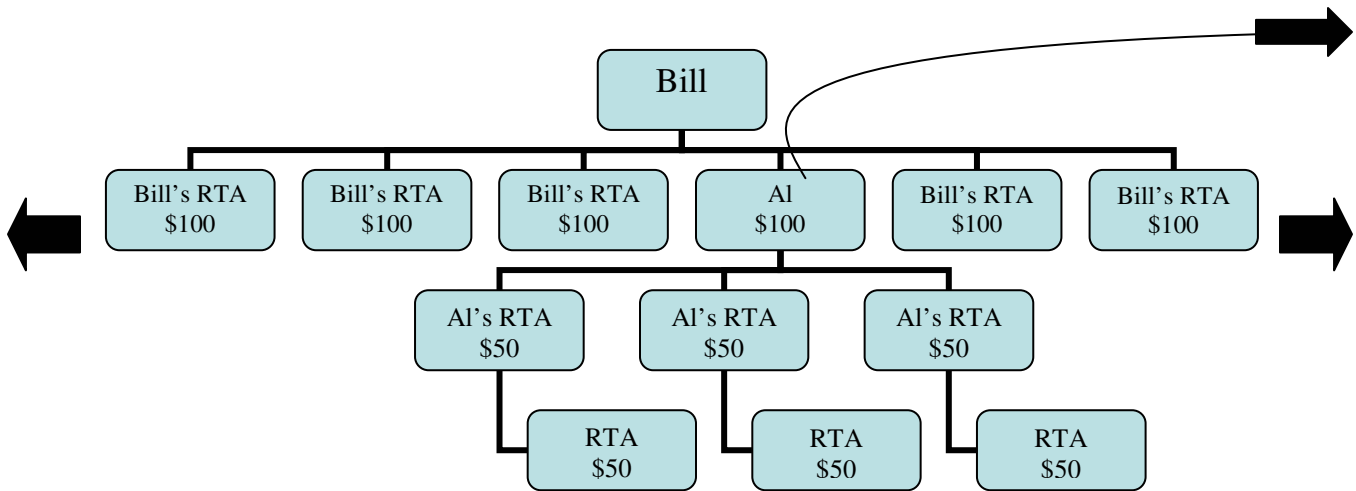
### Your “Power Team” Benefits:

1. You receive **\$100** for every personal RTA. (Referring Travel Agent).
2. You receive **50% matching income bonus** on **all your personal RTA's to infinity!**
3. You receive **\$50** for everyone else in your “Power Team” to infinity!
4. Every time 6 RTA's enter your “Power Team”, you earn a **\$1,000 bonus!**
5. Every 100 RTA's in your “Power Team” earns you a **\$10,000 bonus!**
6. At 500 RTA's you receive **1 unit** of the Director's Pool (Profit sharing = \$2,000 min. per month, plus Major Med + Life Ins.)
7. 2,000 RTA's earns you a **\$50,000 bonus.**
8. Also at 2,000 RTA's you earn **2 units** of the Director's Pool.
9. 5,000 RTA's earns you a **\$100,000 bonus.** Plus all other bonuses!
10. Also at 5,000 RTA's you earn **3 units** of the Director's Pool.
11. 10,000 RTA's earns you a **\$250,000 bonus.** Plus all other bonuses!
12. Also at 10,000 RTA's you earn **4 units** of the Director's Pool.
13. At 25,000 RTA's you earn a **\$1,000,000 bonus.**
14. 25,000 RTA's also earns you **5 units** of the Director's Pool.

**How long will you take to get your first 6 RTA's? Your second 6? Your third 6?**

*Upon completing his “First Team”, Bill moves to his own “Power Team” and Bill becomes your “First Generation” on your “Dream Team”. You earn \$30 on everyone in Bill's “Power Team” to infinity plus a 50% matching income bonus.*

## Bill's "Power Team" is: Your "First Generation" "Dream Team"



### Bill wants the bonuses and car and is building fast!!!

- You receive \$30 for everyone in Bill's "Power Team", plus a 50% matching income bonus. Bill, like you in your Power Team, receives \$100 for his "personals" on his "Power Team". With your 50% match bonus you get \$50 plus \$30 for everyone in Bill's team, so you receive \$80 every time Bill enrolls a "personal".
- Bill also receives \$50 on everyone else in his group. Your 50% match = \$25 + \$30, so you earn \$55 for everyone in Bill's group to infinity.

*Al moves to his own "Power Team", once he completes his "First Team". Al then becomes your "Second Generation" on your "Dream Team" and you earn \$20 for everyone in his team to infinity.*

### "Dream Team" Earnings through 6 Generations:

- 1<sup>st</sup>. Generation = \$30 on every RTA to infinity.  
Plus: For each "personally" enrolled "Power Team" = 50% matching income bonus.
- 2<sup>nd</sup> Generation = \$20 on every RTA to infinity.
- 3<sup>rd</sup> Generation = \$10 on every RTA to infinity.
- 4<sup>th</sup> Generation = \$5 on every RTA to infinity.
- 5<sup>th</sup> Generation = \$5 on every RTA to infinity.
- 6<sup>th</sup> Generation = \$5 on every RTA to infinity.